

New 3 Phase MICRO~flex AC Current Probe Model DRM 503/4

P/N: P-14.500.2

The new DRM 503/4 is a 3 Phase MICRO~flex AC current Probe utilising the Rogowski principle, with 3 channel integrator housed in DIN Rail Mounted Enclosure. The flexible and lightweight measuring head allows quick and easy installation in hard to reach areas and with large conductors.



Electrical Characteristics

Current Range.....	: 500A AC _{RMS}
Output Sensitivity (AC coupled).....	: 0.666mV/A (0.333V @ 500A)
Accuracy (45 - 65Hz).....	: ± 1% of reading ± 1A
Load Impedance.....	: 100kΩ minimum
Linearity (10% to 100% of range)	: ± 0.2% of reading
Bandwidth (-1dB).....	: 10Hz to 10kHz
Phase Error (45 – 65Hz).....	: ± <1°
Temperature Coefficient	: ± 0.1% of reading / °C
Position Sensitivity	: ± 2% of reading
External Field (with cable > 100mm from the head)	: ± 0.25% of range
Power Supply	: External power supply (12V / 100mA)
Working Voltage (see Safety Standards section).....	: 1000V AC _{RMS} or DC (Probe)
.....	: 30V max (Output)

General Characteristics

Probe Material.....	: Alcryn 2070 NC LATENE 7H2W V0
Probe Cable Length / Conductor Diameter... ..	: 315mm (12") /100mm (4")
Cable Diameter	: 6mm (nominal)
Cable Length (Probe to Integrator box)	: 5m
Operating Temperature Range.....	: -20 to +70°C
Storage Temperature Range.....	: -40 to +75°C
Operating Humidity.....	: 15% to 85% (non condensing)
Degree of protection.....	: IP50 Probe
Colour	: RAL 120 70 75 Lemon green

ROHS and WEEE Compliant

DRP503_120229_01

Safety Standards

EN 61010-1:2001
 EN 61010-031:2002
 EN 61010-2-032:2002

1000 V_{RMS}, Category III, 600 V_{RMS}, Category IV, Pollution Degree 2 (Probe)

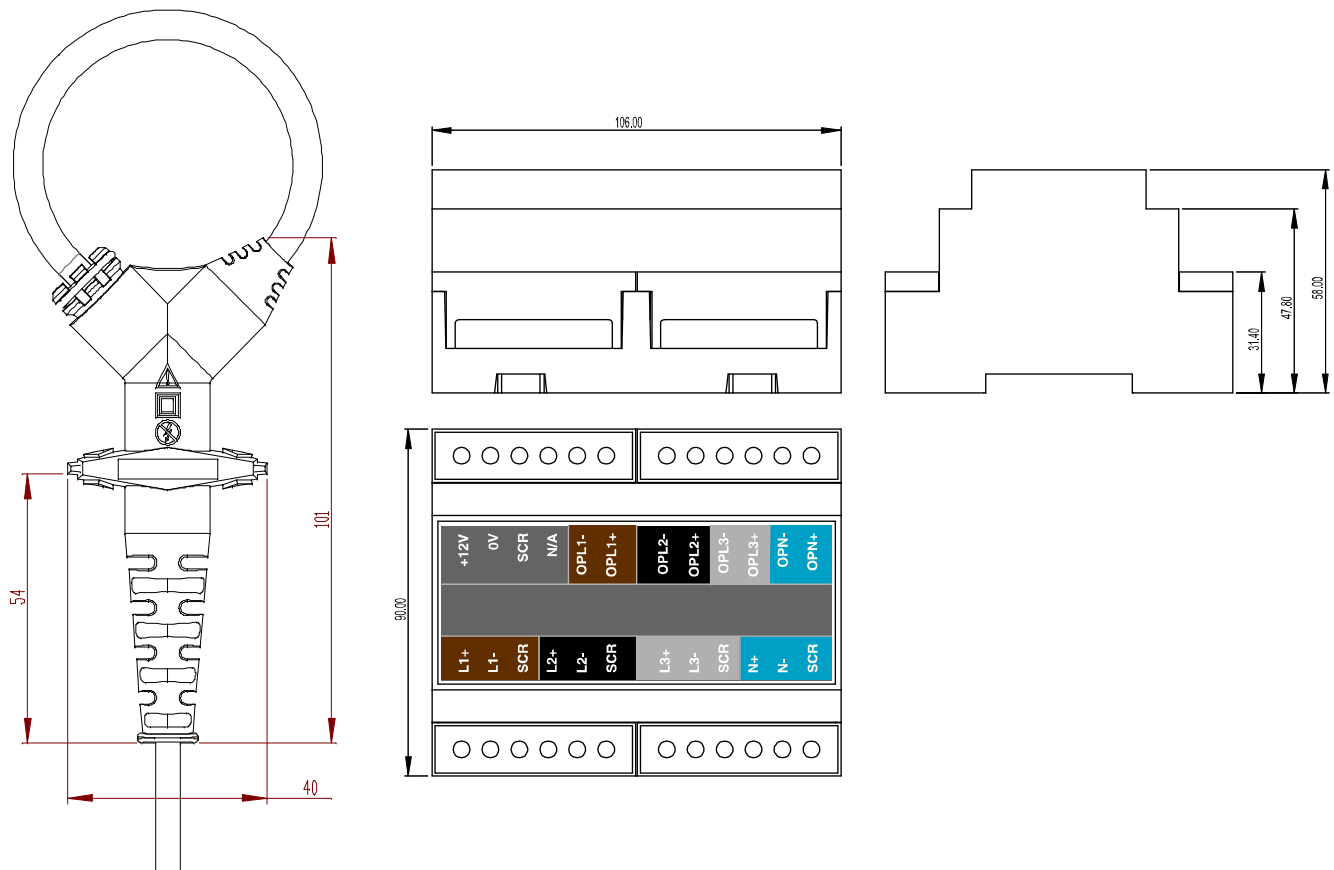
Use of the probe on uninsulated conductors is limited to 1000 V AC_{RMS} or DC and frequencies below 1 kHz.

EMC Standards

EN 61326-2-2:2006

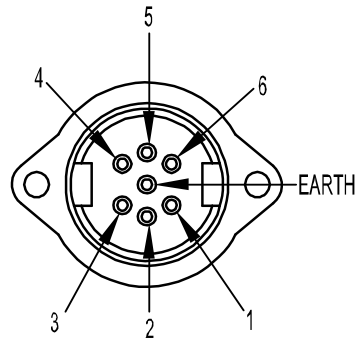
Dimensions

In mm



DRP503_120229_01

AMPHENOL CONNECTOR



CONNECTOR VIEWED FROM SOLDER SIDE

PIN No	CABLE COLOUR	INTEGRATOR CONNECTION
1	White	L1 +
2	Black	L2 +
3	Red	L3 +
4	Blue	N/A
5	Yellow	L1 -
6	Green	N/A
7	Drain wire	Screen