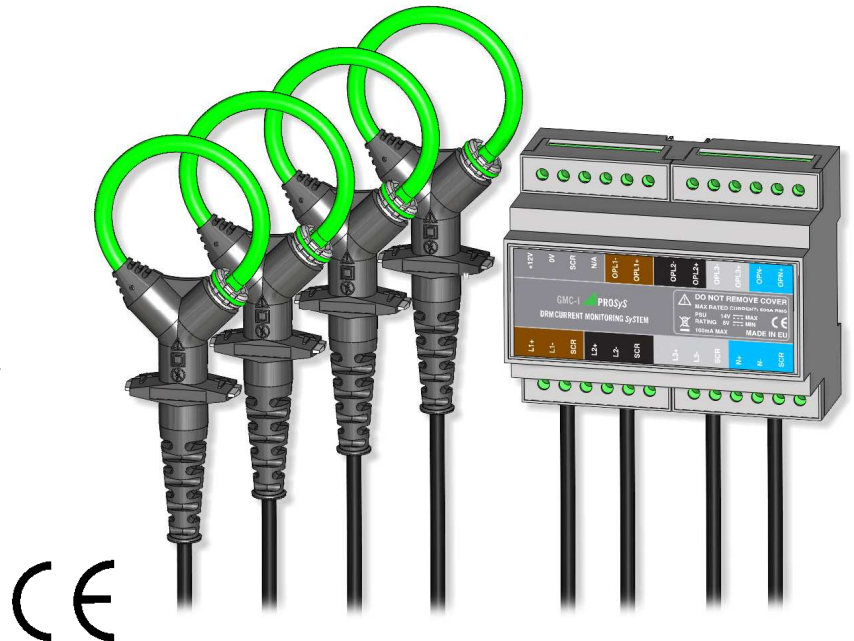


# New 4 Phase MICRO~flex AC Current Probe Model DRM 504/4

**P/N: P-14.500.1**

The new DRM 504/4 is a 4 Phase MICRO~flex AC current Probe utilising the Rogowski principle, with 4 channel integrator housed in DIN Rail Mounted Enclosure. The flexible and lightweight measuring head allows quick and easy installation in hard to reach areas and with large conductors.



## Electrical Characteristics

Current Range.....	: 500A AC <sub>RMS</sub>
Output Sensitivity (AC coupled).....	: 0.666mV/A (0.333V @ 500A)
Accuracy (45 - 65Hz).....	: ± 1% of reading ± 1A
Load Impedance.....	: 100kΩ minimum
Linearity (10% to 100% of range) .....	: ± 0.2% of reading
Bandwidth (-1dB).....	: 10Hz to 10kHz
Phase Error (45 – 65Hz).....	: ± <1°
Temperature Coefficient .....	: ± 0.1% of reading / °C
Position Sensitivity .....	: ± 2% of reading
External Field (with cable > 100mm from the head).....	: ± 0.25% of range
Power Supply .....	: External power supply (12V / 100mA)
Working Voltage (see Safety Standards section).....	: 1000V AC <sub>RMS</sub> or DC (Probe)
.....	: 30V max (Output)

## General Characteristics

Probe Material .....	: Alcryn 2070 NC LATENE 7H2W V0
Probe Cable Length / Conductor Diameter... ..	: 315mm (12") /100mm (4")
Cable Diameter .....	: 6mm (nominal)
Cable Length (Probe to Integrator box) .....	: 5m
Operating Temperature Range.....	: -20 to +70°C
Storage Temperature Range.....	: -40 to +75°C
Operating Humidity.....	: 15% to 85% (non condensing)
Degree of protection.....	: IP50 Probe
Colour .....	: RAL 120 70 75 Lemon green

ROHS and WEEE Compliant

DRM504\_120229\_01

## Safety Standards

EN 61010-1:2001  
 EN 61010-031:2002  
 EN 61010-2-032:2002

1000 V<sub>RMS</sub>, Category III, 600 V<sub>RMS</sub>, Category IV, Pollution Degree 2 (Probe)

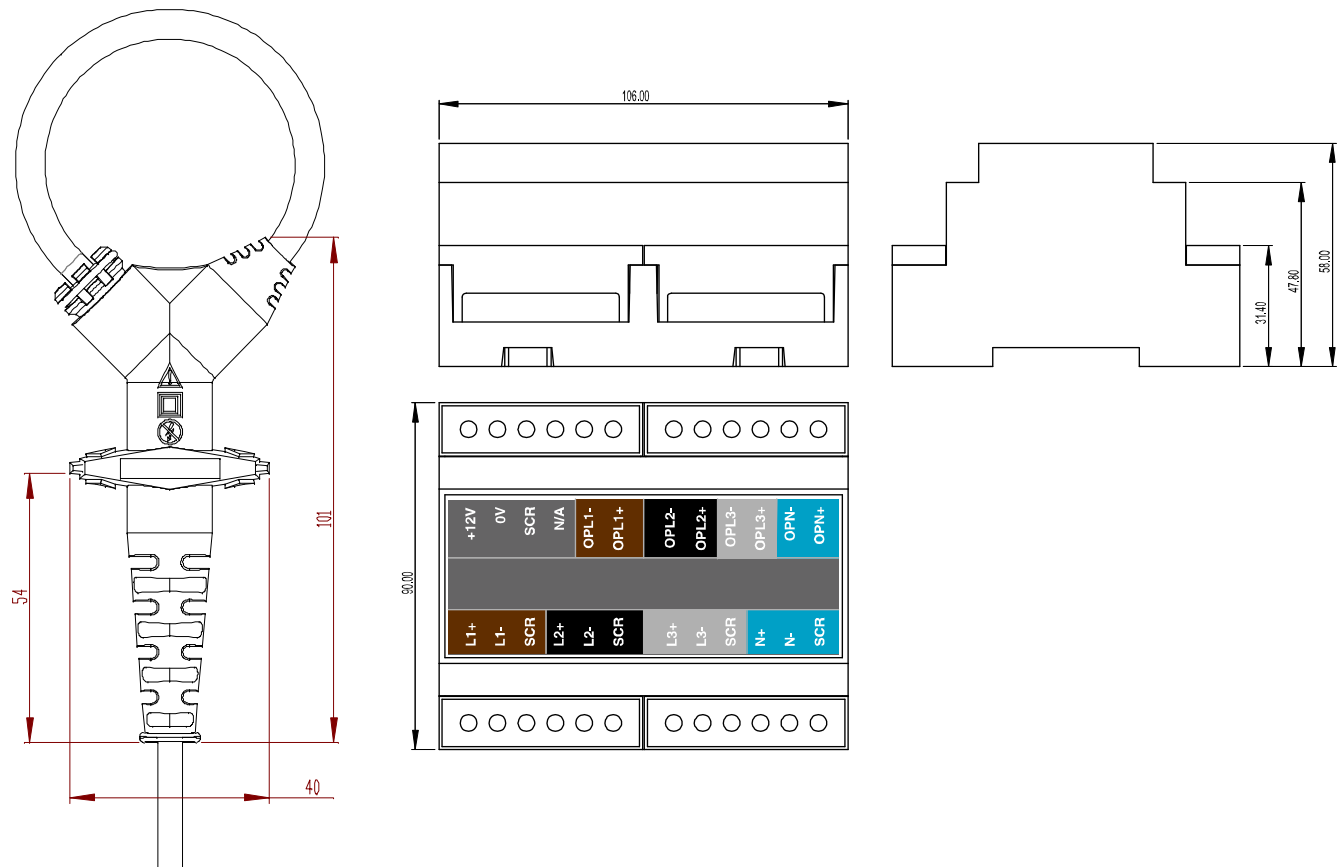
Use of the probe on uninsulated conductors is limited to 1000 V AC<sub>RMS</sub> or DC and frequencies below 1 kHz.

## EMC Standards

EN 61326-2-2:2006

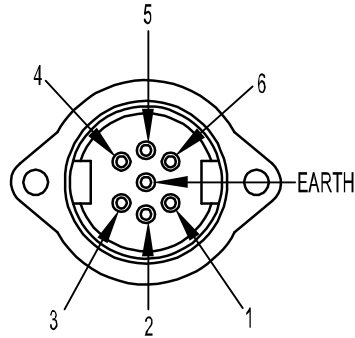
## Dimensions

In mm



DRM504\_120229\_01

**AMPHENOL CONNECTOR**



CONNECTOR VIEWED FROM SOLDER SIDE

PIN No	CABLE COLOUR	INTEGRATOR CONNECTION
1	White	L1 +
2	Black	L2 +
3	Red	L3 +
4	Blue	N +
5	Yellow	L1 -
6	Green	N/A
7	Drain wire	Screen